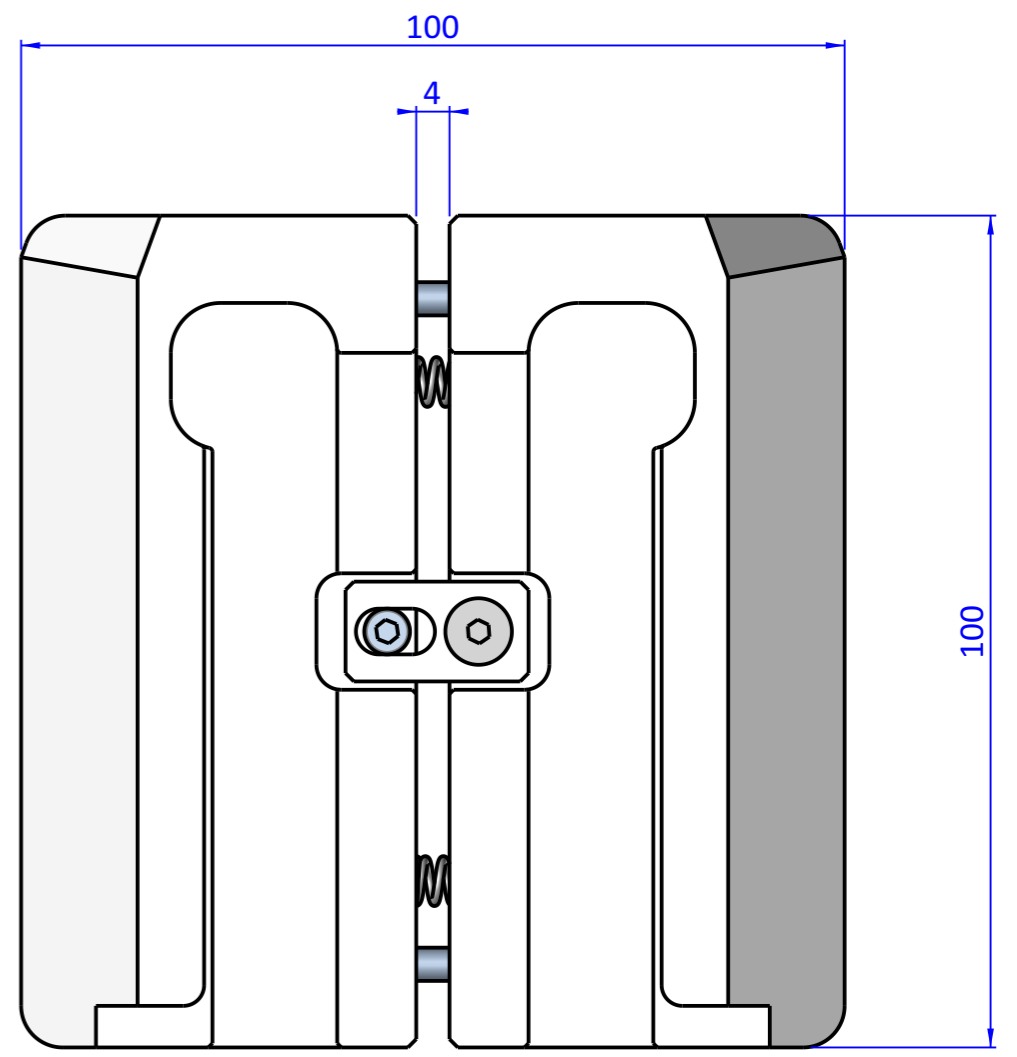
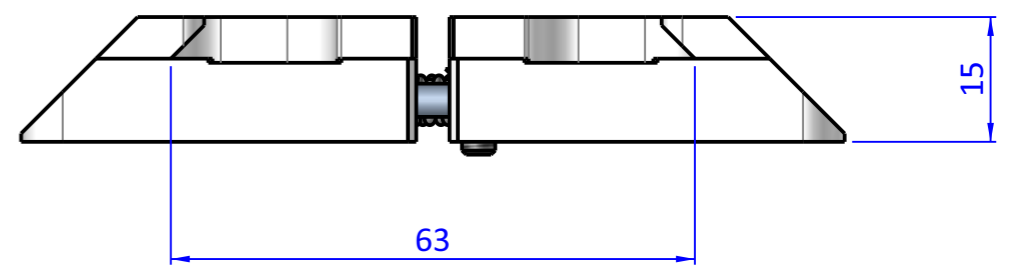
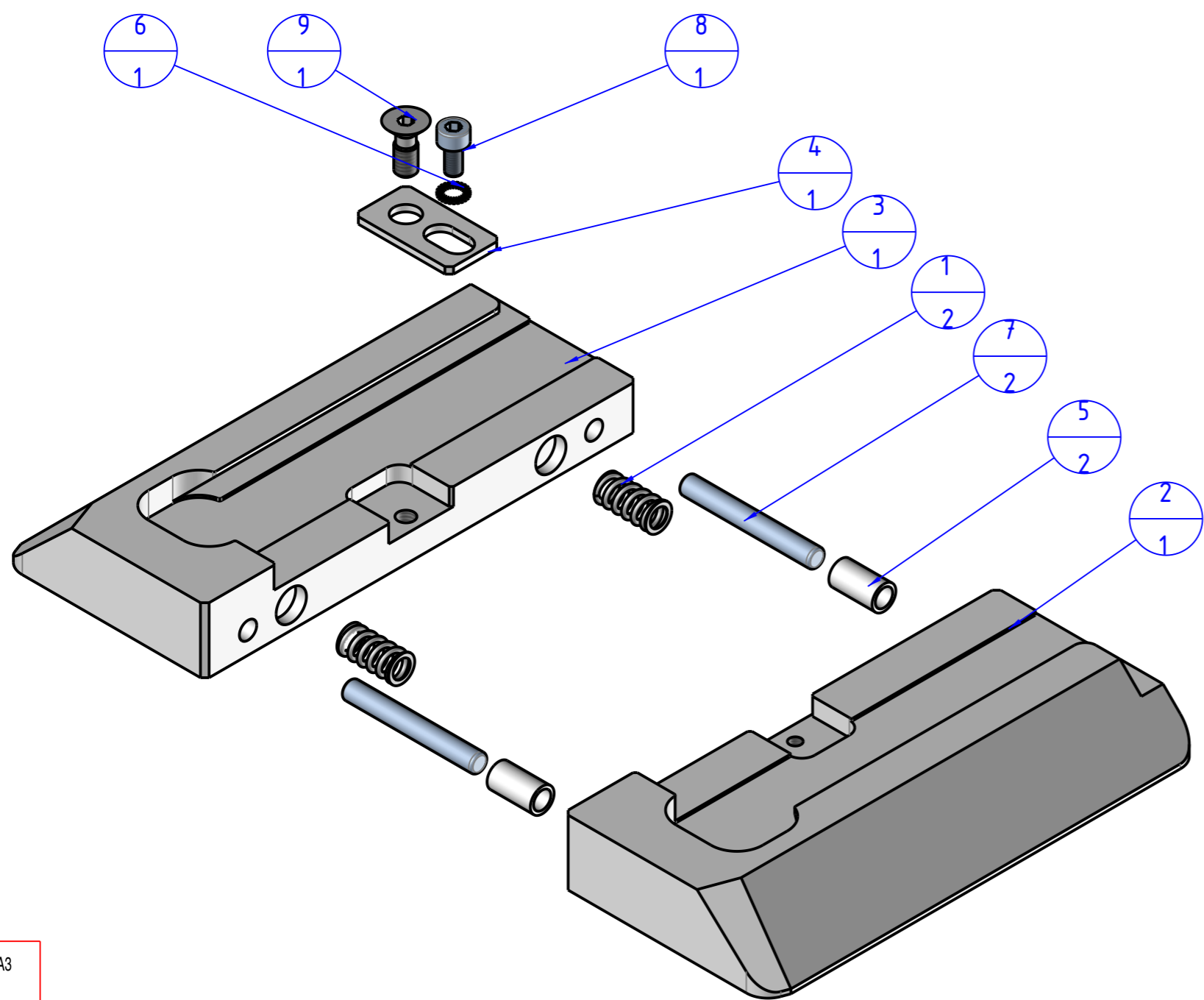



Item	Name	Q.ty
1	DIM.11860	2
2	GPR1.0.1	1
3	GPR1.0.2	1
4	GPR1.0.3	1
5	PAP.0405510	2
6	R.3.SCH	1
7	SP.4x30M6	2
8	V.TCE3x6	1
9	V.TSP4x8	1



THE PROPERTY OF THE DRAWING IS ESTABLISHED BY LAW. IT IS FORBIDDEN TO PRODUCE OR SHOW IT TO THIRD PART, WITHOUT A WRITTEN AGREEMENT.

Format A3  
UNI 936-76

 <b>FPS</b> FPSERVICES AUTOMATION		DESIGNED FROM		REVIEW
		FPS Automation		A
GENERAL TOLERANCE		DATE		WEIGHT
UNI - ISO 2768		01/12/2023		0,261kg
CLASSE f		CODE		
		CA.GPR1.0		CA.GPR1.0